

BS1000-1



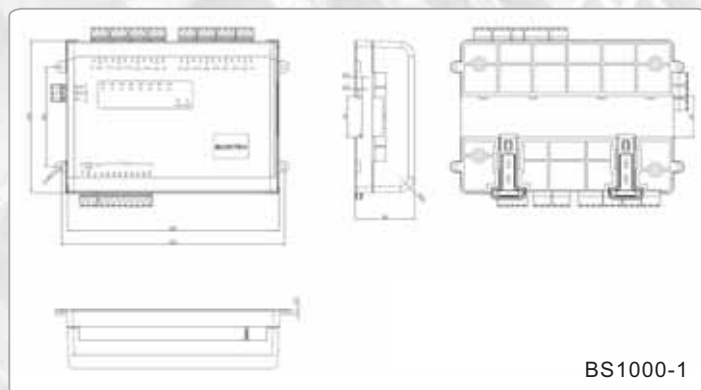
Overview

The 8I/O Module (BS1000-1) provides 8 digital inputs and 8 relay outputs for the monitoring and control of field devices.

For input/output devices that are installed far away from the BS610-4 controller location, BS1000-1 provides substantial savings in cable cost as only one pair of RS485 is connected between BS610-4 and the BS1000-1. Furthermore, up to BS1000-1 can be connected in a single multi-drop configuration.

It also served as an output expansion module for Lift Controller (BS600-3L or BS610-4L) floor button interface.

Dimensions (Unit: mm)



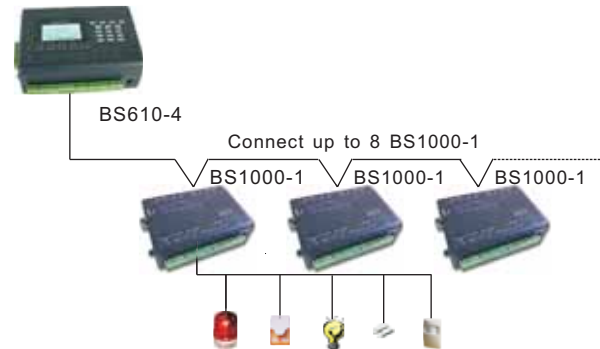
BS1000-1

Features

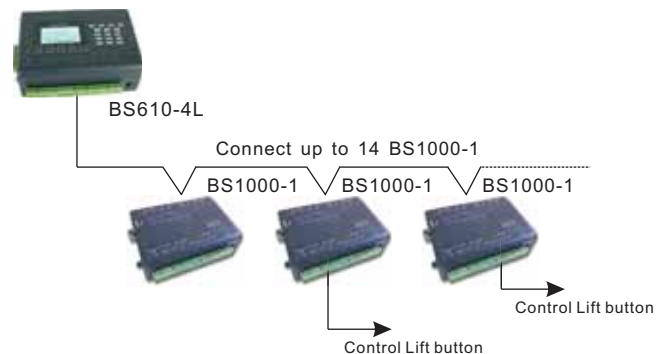
- ★ Up to 14 BS1000-1 can be connected in a multi-dropped (loop) configuration to the BS610-4 controller via RS485. The last BS1000-1 can be installed up to 1Km away from the BS610-4.
- ★ Up to 8 (for BS600-3L to control 68 floors) or 14 (for BS610-4L to control 128 floors) BS1000-1 can be connected in a multi-dropped (loop) configuration to the lift controller via RS485 for floor button interface.
- ★ Address modification via controller without jumper setting.
- ★ Built-in watchdog to prevent the system from locking up and provides auto recovery.
- ★ Silk screened terminal legend and plug-in terminal connectors.

▶ Connection Diagram

Typical Application - Connect to alarm sensor



Typical Application - Control Lift Button



Technical Specification

Parameters	
CPU	8 bits, 8MHz
RAM	256 Byte
Flash	64KB
Serial COM Port	1; RS485 connect to controller.
Digital Input	8
Relay Output	8, 12VDC/1A
RS485 Baud Rate	1200-19200bps, Default 19200bps
RS485 Device ID Setup	1-16; Default 1, setup via controller
LED	10; Power, COM and 8 Output.
Buzzer	1
Power Supply	9~30VDC, 400mA
Operation Environment	-10 ~ 50 °C
Dimensions	129x190x50mm
Weight	210g
Housing	ABS flame-resistant